

Check Valves Screwed

Check valve type Europa® brass

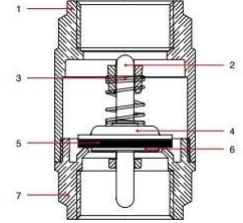
Applications: water, heating, air conditioning, compressed air. **Can be installed horizontal, vertical and oblique.**

Body brass, **Plate in Stainless steel**, Washet NBR, Spring Stainless steel. Temperature resistant from -20° to +100°C.

Pressure to open 0.2 Bar. BSP Female/female threads according to ISO 228. 1) Body, 2) Pin, 3) Spring, 4) Ring, 5) Valve, 6) End adapter.



Article No.	Size Inch	Size DN	Max WP Bar	House Length mm	Diameter mm	Thread L mm	Bore mm	IMPA
432530	3/8	10	25	55	34,5	10,5	10	75 57 91
432531	1/2	15	25	58,5	34,5	11,5	15	75 57 92
432532	3/4	20	25	65	41,5	14	20	75 57 93
432533	1	25	25	74,5	48	16,5	25	75 57 94
432534	1.1/4	32	18	83	60,5	18,5	32	75 57 95
432535	1.1/2	40	18	93	71	20,5	40	75 57 96
432536	2	50	12	101	87	21	50	75 57 97
432537	2.1/2	65	12	122	120	24	65	-
432538	3	80	12	141,5	140	28	80	-
432539	4	100	12	158,5	172	28	100	-



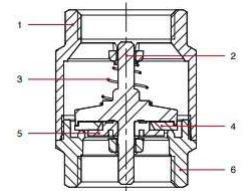
Check valve type York® brass

Applications: water, heating, air conditioning, compressed air. **Can be installed horizontal, vertical and oblique.**

Body brass, **Plate in Polymer**, Washet NBR, Spring Stainless steel. Temperature resistant from -20° to +100°C.

Pressure to open 0.2 Bar. BSP Female/female threads according to ISO 228. 1) Body, 2) Pin, 3) Spring, 4) Ring, 5) Valve, 6) End adapter.

Article No.	Size Inch	Size DN	Max WP Bar	House Length mm	Diameter mm	Thread L mm	Bore mm	IMPA
432540	3/8	10	12	46,5	35	-	10	-
432541	1/2	15	12	48	35	-	15	-
432542	3/4	20	12	53	42	-	20	-
432543	1	25	12	60,5	48	-	25	-
432544	1.1/4	32	10	66,5	59,5	-	32	-
432545	1.1/2	40	10	74	70,5	-	40	-
432546	2	50	10	80,5	86	-	50	-
432547	2.1/2	65	8	98	103	-	65	-
432548	3	80	8	103	126	-	80	-
432549	4	100	8	118,5	154	-	100	-



Check valve type Roma® brass

Applications: water, heating, air conditioning, compressed air. Suitable for use in gasoline and fuels in general.

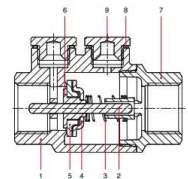
Can be installed horizontal, vertical and oblique. Temperature resistant with water from -20° to +100°C, with fluid hydrocarbons or compressed air +150°C.

Body brass, **Plate Stainless Steel**, Washer VITON, Spring Stainless steel. Outlet plugs in brass, thread 1/4".

Pressure to open 0.2 Bar. BSP Female/female threads according to ISO 228.

1) Body, 2) Pin, 3) Spring, 4) Valve, 5) Ring Viton, 6) Plug, 7) End adapter, 8) Ring aluminium, 9) Plug.

Article No.	Size Inch	Size DN	Max WP Bar	House Length mm	Diameter mm	Thread C mm	Thread D mm	IMPA
432520	3/8	10	25	63	47,3	10	10	75 57 71
432521	1/2	15	25	68,5	47,3	13,5	14	75 57 72
432522	3/4	20	25	69,5	54,5	14	14	75 57 73
432523	1	25	25	79	60,8	15	15	75 57 74
432524	1.1/4	32	18	84	72,8	16	15,5	7 57 75
432525	1.1/2	40	18	93,5	83,3	16	17	75 57 76
432526	2	50	18	108	99,3	20	19	75 57 77



Check valve type Swing® brass

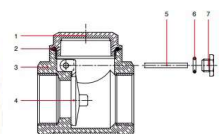
Applications: water, heating, air conditioning, compressed air.

Can be installed only in horizontal systems. Temperature resistant with water from 0° to +90°C.

Body brass, **Plate Brass**, Washers NBR, Spring Stainless steel. Pressure to open 0.2 Bar. BSP Female/female threads according to ISO 228.

1) End adapter, 2) O-ring NBR, 3) Body, 4) Disc, 5) Pin, 6) O-ring NBR, 7) Plug.

Article No.	Size Inch	Size DN	Max WP Bar	House Length mm	Diameter mm	Thread D mm	Thread E mm	IMPA
432550	3/8	10	16	43	50	12	8	75 57 52
432551	1/2	15	16	43	50	9,5	8	75 57 53
432552	3/4	20	16	52	58	10	9	75 57 54
432553	1	25	12	62	66	13	11,5	75 57 55
432554	1.1/4	32	10	72	76	13	11,5	75 57 56
432555	1.1/2	40	10	81	86	13	14,5	75 57 57
432556	2	50	10	94	100,2	13,5	13	75 57 58



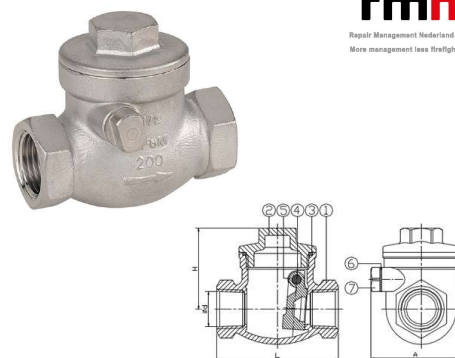
Check Valves Screwed

Check valve Stainless Steel AISI 316

Applications: water, heating, air conditioning, compressed air and fuel systems. BSP Female/female threads according to ISO 228/1. Only to be use in horizontal systems. Body Stainless steel ASTM A351-CF8M, disc RVS ASTM A351-CF8M, Seal PTFE, Ring PTFE, Plug Stainless steel AISI 316, Bolt Stainless steel AISI 304. Temperature resistant from -20° to +200°C.



Article No.	Size Inch	Size DN	Max WP Bar	House Length mm	Diameter mm	Thread L mm	Bore mm	IMPA
432560	1/4	8	14	-	-	-	8	-
432561	3/8	10	14	-	-	-	10	-
432562	1/2	15	14	65	46,5	-	15	-
432563	3/4	20	14	80	52	-	20	-
432564	1	25	14	89	56	-	25	-
432565	1.1/4	32	14	105	65	-	32	-
432566	1.1/2	40	14	120	75	-	40	-
432567	2	50	14	139	84	-	50	-



Y-Strainers Screwed

Stainer Y-Type Brass with stainless steel filter insert

BSP Female/female threads according to ISO 228/1. Only to be use in horizontal systems. Applications: water, heating, air conditioning, compressed air and fuel systems. Body brass, End adapter brass, filter Stainless steel. Seal NBR. Temperature resistant from -20° to +100°C.

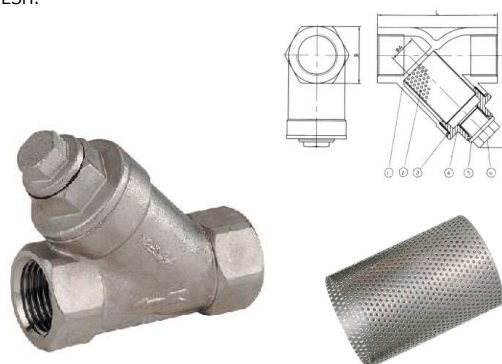
Article No.	Spare filter element AISI 316	Size Inch	Size DN	Max WP Bar	House Length mm	Diameter B mm	IMPA
432501	432501B	3/8	10	16	48	20,5	75 24 22
432502	432502B	1/2	15	16	58	25,2	75 24 23
432503	432503B	3/4	20	16	68	30	75 24 24
432504	432504B	1	25	16	75	30	75 24 25
432505	432505B	1.1/4	32	16	97,5	47,5	75 24 26
432506	432506B	1.1/2	40	16	105	52,5	75 24 27
432507	432507B	2	50	16	129	66	75 24 28
432508	432508B	2.1/2	65	16	-	-	-
432509	432509B	3	80	16	-	-	-
432510	432510B	4	100	16	-	-	-



Stainer Y-Type Stainless Steel AISI 316 with stainless steel filter insert

BSP Female/female threads according to ISO 228/1. Only to be use in horizontal systems. Applications: water, heating, air conditioning, compressed air and oils. Body - End adapter - Drain plug Stainless steel AISI 316, filter Stainless steel AISI 316, seal and ring PTFE. Temperature resistant from -20° to +100°C. Mesh 12MESH.

Article No.	Spare filter element AISI 316	Size Inch	Size DN	Max WP Bar	House Length mm	Height H mm	IMPA
43A42500	-	1/4	8	55	65	46	-
43A42501	-	3/8	10	55	65	46	-
43A42502	43A42502B	1/2	15	55	65	46	-
43A42503	43A42503B	3/4	20	55	80	55	-
43A42504	43A42504B	1	25	55	90	70	-
43A42505	43A42505B	1.1/4	32	55	105	73	-
43A42506	43A42506B	1.1/2	40	55	120	81	-
43A42507	43A42507B	2	50	55	140	94	-



Stainer Y-Type Stainless Steel AISI 316 with stainless steel filter insert

Applications: water, heating, air conditioning, compressed air and fuel systems. Mounting position; bonnet upside down, please refer to flow direction. Body consist of two screwed parts. Connection Female Thread 1/2" - 3" (DIN ISO 228 T1). Pressure range: Max. 40 Bar. Temperature resistant from -30° to +180°C. (tested and guaranteed) PTFE withstand temperatures up to +260°C and disintegrate above +350°C into a harmful gas. (temperature not guaranteed by manufacturer strainers). Body-bonnet-Drain plug Stainless steel 1.4408, Mesh stainless steel 1.4301, Seal PTFE, Mesh DN15-DN50 / 1/2" - 2" Standard filter 0.50 mm, Fine filter 0.25 mm, Mesh DN65-DN80 / 2.1/2" - 3" Standard filter 1.00 mm, Fine filter 0.50 mm

Article No.	Spare filter element AISI 316	Size Inch	Size DN	Max WP Bar	House Length mm	Height H mm	IMPA
43A42512	On request	1/2	15	55	65	46	-
43A42513	On request	3/4	20	55	65	46	-
43A42514	On request	1	25	55	65	46	-
43A42515	On request	1.1/4	32	55	80	55	-
43A42516	On request	1.1/2	40	55	90	70	-
43A42517	On request	2	50	55	105	73	-
43A42518	On request	2.1/2	65	55	120	81	-
43A42519	On request	3	80	55	140	94	-

