

JUKOLUX ALX + AFX ATEX LED luminaire Zone 1,22 - 2,22 IP66

Jukolux ALX ATEX-LED Linear luminaire Zone 1-21, 2-22

For ATEX Zone 1-21 and 2-22.

Certification: Ex Gas environments Ex eb mb op is IIC T4 Gb, Ex Dust environments Ex tb op is IIIC T85°C Db.

IECEX certificate nr. IECEX FTZU 23.0010X, ATEX Certificate nr. FTZU 23 ATEX 0017X.

A modular unique ATEX luminaire made in Finland. At the core of the ALX Jukolux has ATEX/IECEX component certified LED Module and LED Driver units. This modular approach makes it very versatile and easy to update. Heat-, Current- and voltage protection is using a doubled circuit approach and therefore the possibility faulty situation can be reseted without removing the luminaire.

LED Module Certificates for the JUKO LED-4000Ex.

Ex Gas environments Ex eb mb op is IIC T4, IECEX certificate nr. IECEX FTZU 22.0005U, ATEX certificate nr. FTZU 22 ATEX 0077U.

LED Driver Certificarts for the JUKO PU150Ex.

Ex Gas environments Ex mb IIC Gb, IECEX certificate nr. IECEX FTZU 23.0007U, ATEX certificate nr. FTZU 22 ATEX 0078U.

Housing: Extruded anodized aluminium. Cover Toughened special glass, Optics PMMA, screws A4, Cable glands polyamide M25.

Mounting options: Wall, ceiling or pole. Adjustability -45° ... +45°.

Electrical properties: 198-275Vac 50/60Hz, constant current and power from 25W up to 100W.

Light properties: Juko LED Module, color temperature 4.000K, Color rendering index RA 80-89, Light output 4.000 up to 16.000 lumen, Efficacy 160 Lumen/W. Lifespan L80B10 (Ta 25°C) 100.000 hours. Beam angle 60°, 90°, 120°.

Coupling: Cable glands M25, through wiring is optional also same end looping. Wire diameter 1,5 ... 4,0mm².

IP Rating IP66. Manufacturers warranty 5 years. For Ambient temperatures from -40°C up to +55.

Breather valve to prevent condensation inside the luminaire.

The luminaires are available in 2 lengths of 658mm and 1300mm.

The 658mm length can be fitted as a 1 or 2 LED module luminaire JUKO ALX-06-M1 or M2 (25W or 50W).

The 1300mm length can be fitted as a 2 or 4 LED module luminaire JUKO ALX-12-M2 or M4 (50W or 100W).

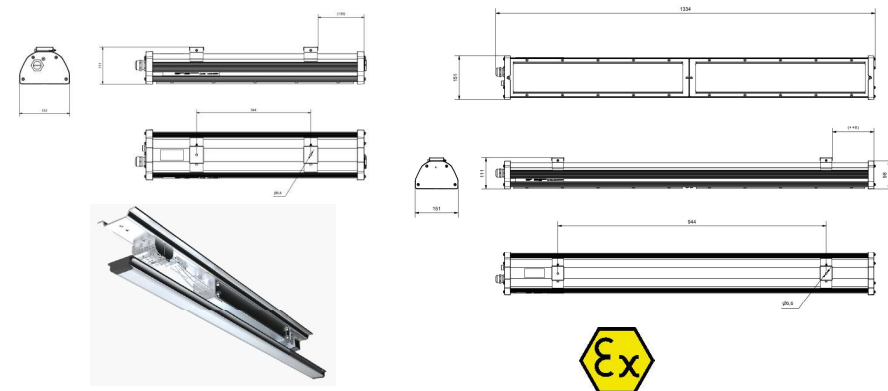


Multiple options on request available.

Article No.	Description version with disconnecter	Wattage	Lumen output	LxWxH mm	Ta max (°C)	Optic	Color K
83JUKO990021	Juko ALX06 Atex Zone 1,21 - 2,22	25	4.000	696x151x111	55	120°	4.000
83JUKO990022	Juko ALX06 Atex Zone 1,21 - 2,22	50	8.000	696x302x111	55	120°	4.000
83JUKO990023	Juko ALX12 Atex Zone 1,21 - 2,22	50	8.000	1334x151x111	55	120°	4.000
83JUKO990024	Juko ALX12 Atex Zone 1,21 - 2,22	100	16.000	1334x302x111	55	120°	4.000

Jukolux ALX LED Luminaire with MARINE BRACKET

Article No.	Description version with disconnecter	Wattage	Lumen output	LxWxH mm	Ta max (°C)	Optic	Color K
83JUKO990056	Juko ALX06 Atex Zone 1,21 - 2,22	25	4.000	696x151x111	55	120°	4.000
83JUKO990057	Juko ALX06 Atex Zone 1,21 - 2,22	50	8.000	696x302x111	55	120°	4.000
83JUKO990058	Juko ALX12 Atex Zone 1,21 - 2,22	50	8.000	1334x151x111	55	120°	4.000
83JUKO990059	Juko ALX12 Atex Zone 1,21 - 2,22	100	16.000	1334x302x111	55	120°	4.000



Jukolux AFX ATEX-LED Linear luminaire Zone 1-21, 2-22

For ATEX Zone 1-21 and 2-22.

Certification: Ex Gas environments Ex eb mb op is IIC T4 Gb, Ex Dust environments Ex tb op is IIIC T85°C Db.

IECEX certificate nr. IECEX FTZU 23.0010X, ATEX Certificate nr. FTZU 23 ATEX 0017X.

A modular unique ATEX luminaire made in Finland. At the core of the ALX Jukolux has ATEX/IECEX component certified LED Module and LED Driver units. This modular approach makes it very versatile and easy to update. Heat-, Current- and voltage protection is using a doubled circuit approach and therefore the possibility faulty situation can be reseted without removing the luminaire.

LED Module Certificates for the JUKO LED-4000Ex.

Ex Gas environments Ex eb mb op is IIC T4, IECEX certificate nr. IECEX FTZU 22.0005U, ATEX certificate nr. FTZU 22 ATEX 0077U.

LED Driver Certificarts for the JUKO PU150Ex.

Ex Gas environments Ex mb IIC Gb, IECEX certificate nr. IECEX FTZU 23.0007U, ATEX certificate nr. FTZU 22 ATEX 0078U.

Housing: Extruded anodized aluminium. Cover Toughened special glass, Optics PMMA, screws A4, Cable glands polyamide (J7) M25.

Mounting options: Wall, ceiling or pole. Adjustability -45° ... +45°.

Electrical properties: 198-275Vac 50/60Hz, constant current and power from 100W and 150W.

Light properties: Juko LED Module, color temperature 4.000K, Color rendering index RA 80-89, Light output 16.000 and 24.000 lumen, Efficacy 160 Lumen/W. Lifespan L80B10 (Ta 25°C) 100.000 hours. Beam angle 60°, 90°, 120°.

Coupling: Cable glands M25, through wiring is optional also same end looping. Wire diameter 1,5 ... 4,0mm².

IP Rating IP66. Manufacturers warranty 5 years. For Ambient temperatures from -40°C up to +55.

Breather valve to prevent condensation inside the luminaire.

The luminaire length is 836mm.

Can be fitted as a 4 LED module luminaire JUKO AFX-06-M4 (100W).

Can be fitted as a 6 LED module luminaire JUKO AFX-06-M6 (150W).

Multiple options on request available.



JUKOLUX
smarter light. better performance.

