

JUKOLUX
smarter light. better performance.



ALX

JUKO ALX is an unique ATEX luminaire made in Finland. After extensive market research the ALX was designed to meet even the most demanding needs.

At the core of the ALX we have ATEX/IECEx component certified LED Module and LED Driver units. This modular approach makes it very versatile and easy to update. Heat-, current-, and voltageprotection is using a doubled circuit approach and therefore the possible faulty situations can be reseted without removing the luminaire.

JUKO ALX the choice of true professionals.

LUMINAIRE CERTIFICATES

EX Gas environments	Ex eb mb op is IIC T4 Gb
EX Dust environments	Ex tb op is IIIC T85°C Db
Zones	1,2 / 21,22
IECEx Certificate nr.	IECEx FTZU 23.0010X
ATEX Certificate nr.	FTZU 23 ATEX 0017X
IP Rating	IP66

LED MODULE CERTIFICATES

JUKO LED-4000Ex

EX Gas environments	Ex eb mb op is IIC T4
IECEx Certificate nr.	IECEx FTZU 22.0005U
ATEX Certificate nr.	FTZU 22 ATEX 0077U

LED DRIVER CERTIFICATES

JUKO PU150Ex

EX Gas environments	Ex mb IIC Gb
IECEx Certificate nr.	IECEx FTZU 23.0007U
ATEX Certificate nr.	FTZU 22 ATEX 0078U

MECHANICAL PROPERTIES

Body	Extruded anodized aluminum
Cover	Toughened special glass
Optics	PMMA
Screws	A4
Cable glands	M25
Mounting	Wall / Ceiling / Pole
Adjustability	-45° ... +45°

ELECTRICAL PROPERTIES

Voltage	AC
Voltage range	230
Driver type	Constant current
Power	25W - 100W

LIGHT PROPERTIES

Type of LED	JUKO LED Module
Color temperature	4000K
Color Rendering index	80-89
Light output lm	4000 - 16 000
Efficacy	~160
Lifespan L80 (Ta 25°C)	100 000 h
Beam angle	60° / 90° / 120°

COUPLING

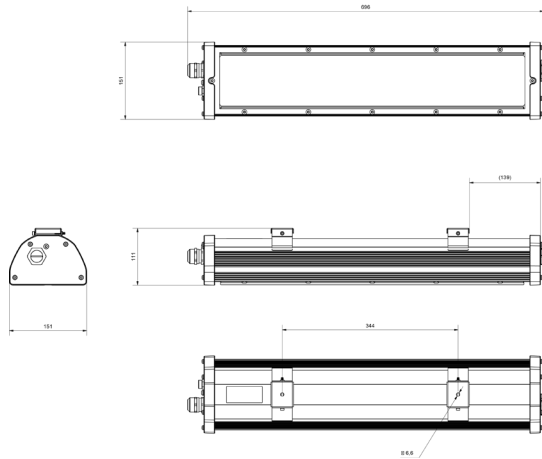
Cable glands	M25
Through wiring	Optional, also same end looping
Wire diameter	1,5 ... 4 mm ²

OTHER

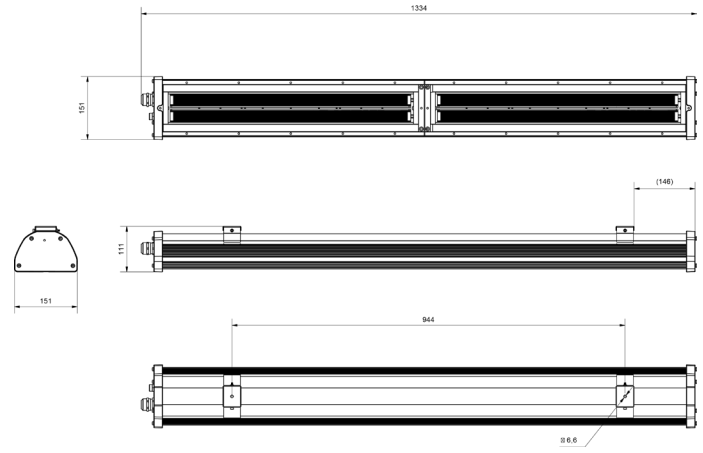
IP rating	IP66
Country of origin	Finland
Warranty	5 years
Ambient temperature range	-40°C ... Ta ... +55°C

DIMENSIONS

JUKO ALX-06



JUKO ALX-12



PRODUCT KEY

JUKO ALX-06-M1-120-GL-C-P-A-25-ST1-1

1 2 3 4 5 6 7 8 9 10

1	Length of the luminaire	6	Material of cable glands	10	Installation options
06	658 mm	P	Plastic	1	Basic
12	1300 mm			2	Heavy duty
2	Amount of LED Modules	7	Breather drain	3	Pole adapter
M1	1 LED Module (25W)	A	M12	4	Adjustable handle
M2	2 LED Modules (50W)	C	M20	5	22.5°
M4	4 LED Modules (100W ALX-12)	8	Size of cable glands	6	45°
		25	M25	7	Adjustable angle 15°-30°
		32	M25/32	9	Coupling
3	Optics	S1	1 phase	S3	3 phase
060	60°	T1	Through wiring, 1 phase	T3	Through wiring, 3 phase
090	90°	ST1	Same end through wiring, 1 phase	ST3	Same end through wiring, 3 phase
120	120°, no optics	4	Cover		
		GL	Glass		
5	Cover type				
C	Clear				