



ALT

MODULAR

Combining different sub-assemblies the ALT can be quickly delivered even in big quantities.

25 - 220W

Versatile components and excellent heat management offer a wide range of power options.

4820 - 39 500 LM

High or low, JUKO ALT is fitting for all environments.

185-190LM/W

Excellent power supply, outstanding MID power LEDs offer high total efficiency. High power LED option also available.

60° / 65° / 90° / 120°

JUKO ALT can be offered with beam widths of 60°, 65°, 90° and 120°.

AR ENERGYVISION GLASS

Only 1% loss of light output, glare minimizing capabilities.

IP66/67

Based on an ATEX design, ingress protection is guaranteed.

QUALITY FROM FINLAND

When possible it's always done in Finland.

VERSATILE INSTALLATION

We have all worked on the other side as well, so why design a product that is not easy to install?

MECHANICAL PROPERTIES

Frame	Extruded aluminum
Cover	Speciality glass clear / opaqr
Optics	PMMA
Fasteners	A4
Cable glands	M20 / M25
Installation	Ceiling / Pole / Wall
Installation adapters	Optional
Adjustability	-45° ... +45°
Weight	5 kg (ALT-06) / 10 kg (ALT-12)

ELECTRICAL PROPERTIES

Voltage type	AC
Nominal voltage	100-240
Type of power supply	Constant current
Power	25 - 220 W

LIGHT PROPERTIES

Type of LEDs	Mid power / High power LED
Color temperature	4000K
Color Rendering Index	80-89
Light output lm	4 820 - 39 500
Efficacy	~185-190lm/w
Life time L80 (Ta 60°C)	100 000 h
Beam width	60° / 65° / 90° / 120°

COUPLING

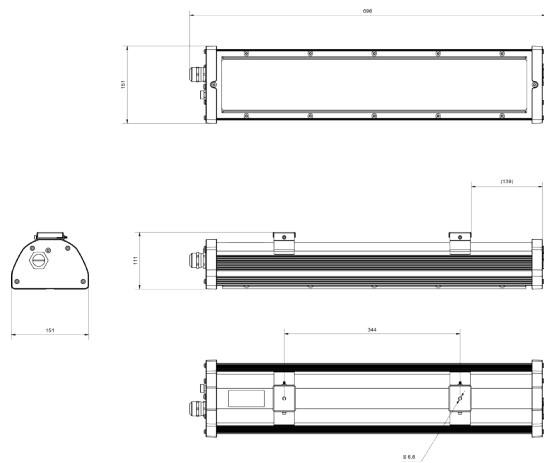
Cable glands	M25 / M20
Through wiring	Optional
Cable cross-section	1,5 ... 4 mm ²

OTHER

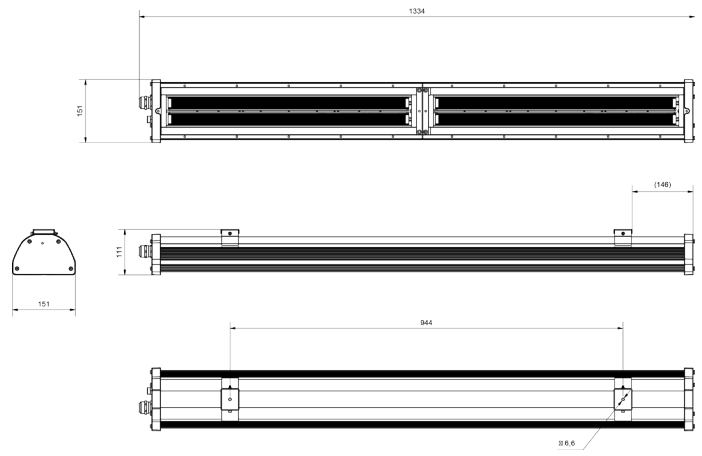
IP Rating	IP66 / IP67
Country of origin	Finland
Guarantee	5 years
IK Rating	IK09
Ambient temperature	-40°C ... +60°C (+65°C)

DIMENSIONS

JUKO ALT-06



JUKO ALT-12



PRODUCT KEY

JUKO ALT-06-2-2-350-120-GL-C-M-A-25-S1-1

1 2 3 4 5 6 7 8 9 10 11 12

1	Length of the luminaire	5	Optics	10	Cable gland size
06	658 mm	060	60°	20	M20
12	1300 mm	065	65°	25	M25
		090	90°		
2	LED	120	120° (no optics)	11	Coupling
1	Mid Power	6		S1	Normal, 1 phase
2	High Power	6	Cover	S3	Normal, 3 phase
		GL	Glass	T1	Through wiring, 1 phase
3	Coating	PC	Polycarbonate	T3	Through wiring, 3 phase
1	Anodized	7	Cover type	ST1	Through wiring same end, 1 phase
2	Powder paint	C	Clear	ST3	Through wiring same end, 3 phase
3	Other	F	Opaque	12	Installation options
4	Power (ALT-06 / ALT-12)	8	Material of cable glands	1	Normal
350	25W/50W	M	Metal	2	Heavy duty
500	35W/70W	P	Plastic	3	Pole
700	50W/100W	A4	Stainless steel 316L	4	Adjustable handle
850	75W/150W *	9	Breather drain	5	22.5°
1000	110W/220W *	A	M12	6	45°
	* High power LED	B	None	7	w/ adjustable angle (15-30°)
		C	M20		