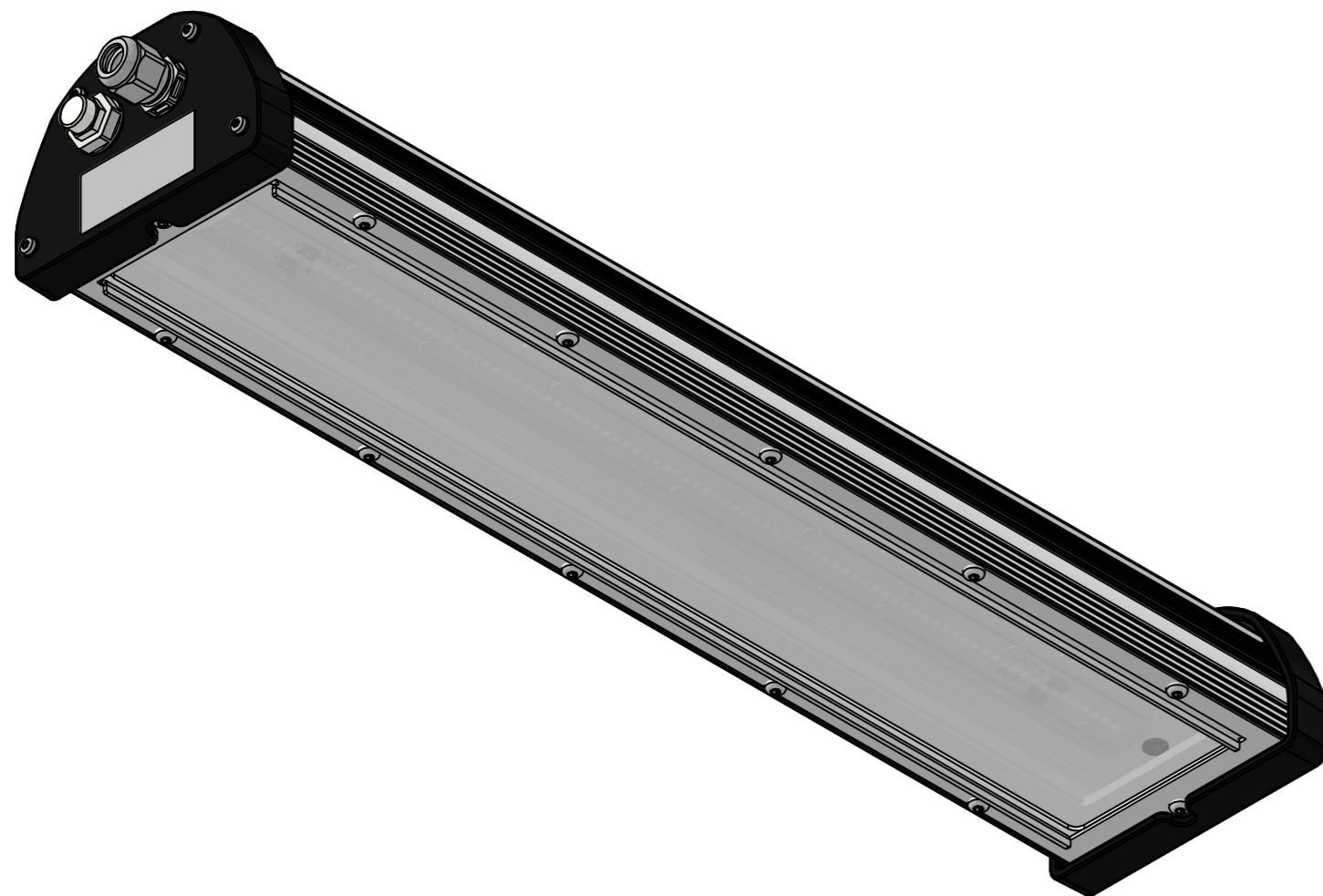
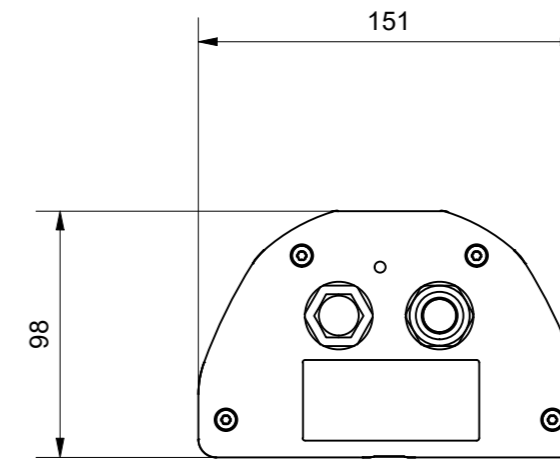
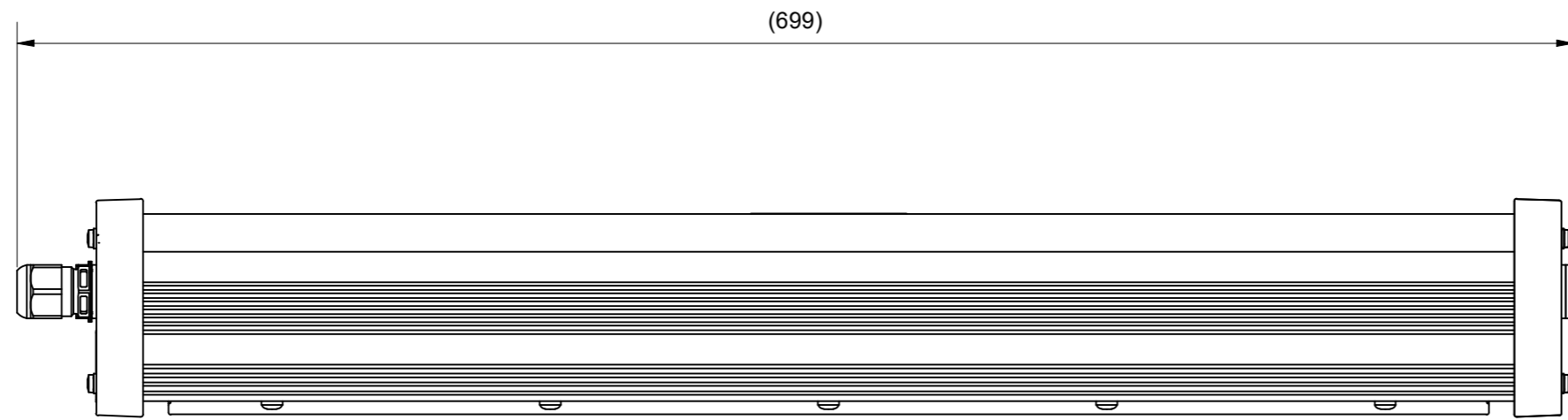
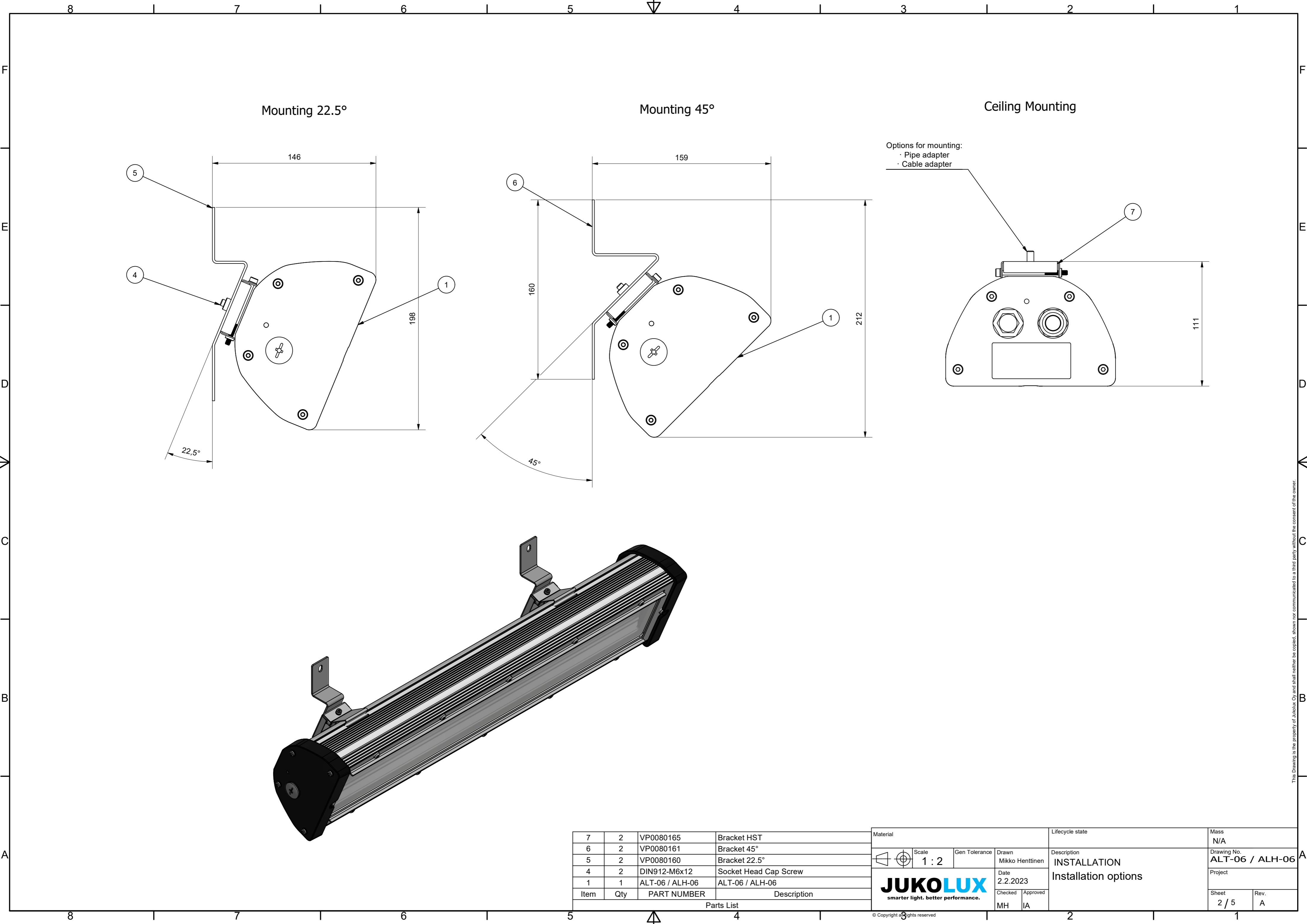


ALT-06 / ALH-06 Dimensions



Material				Lifecycle state		Mass
Scale 1 : 3				Description		N/A
Gen Tolerance				Dimension		Drawing No. ALT_ALH-06 INSTALLATION
Drawn Mikko Hentinen				Date 9.2.2023		Project
Checked				Approved		Sheet 1 / 5
						Rev.

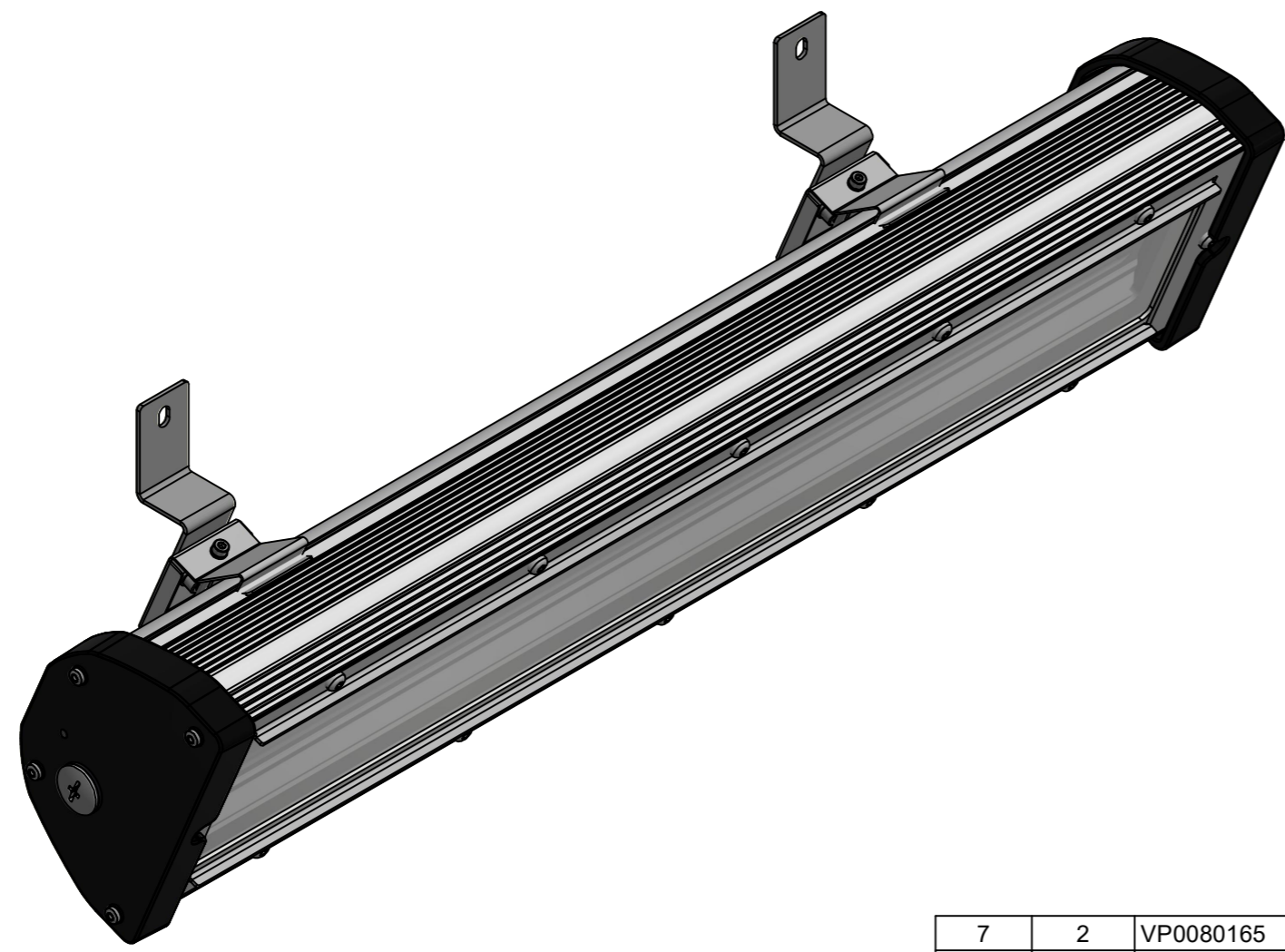


Mounting 22.5°

Mounting 45°

Ceiling Mounting

Options for mounting:
 · Pipe adapter
 · Cable adapter



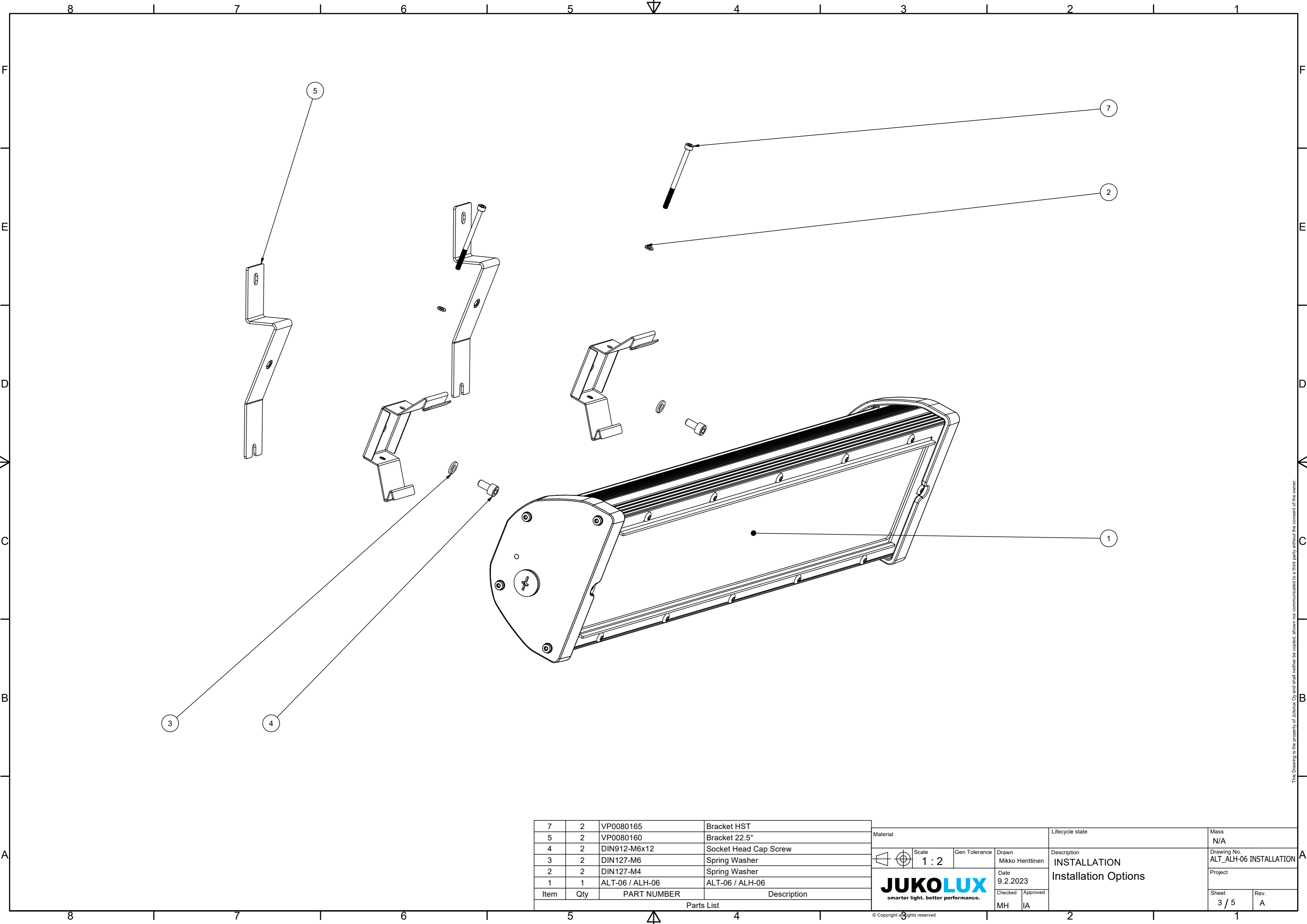
Item	Qty	PART NUMBER	Description
7	2	VP0080165	Bracket HST
6	2	VP0080161	Bracket 45°
5	2	VP0080160	Bracket 22.5°
4	2	DIN912-M6x12	Socket Head Cap Screw
1	1	ALT-06 / ALH-06	ALT-06 / ALH-06

Material		Scale 1:2		Gen Tolerance		Drawn Mikko Hentinen		Lifecycle state		Mass N/A	
Date 2.2.2023		Checked MH		Approved IA		Description INSTALLATION		Project		Drawing No. ALT-06 / ALH-06	
Sheet 2 / 5		Rev. A		Installation options							

Parts List

© Copyright all rights reserved

This Drawing is the property of Jukolux Oy and shall neither be copied, shown nor communicated to a third party without the consent of the owner.

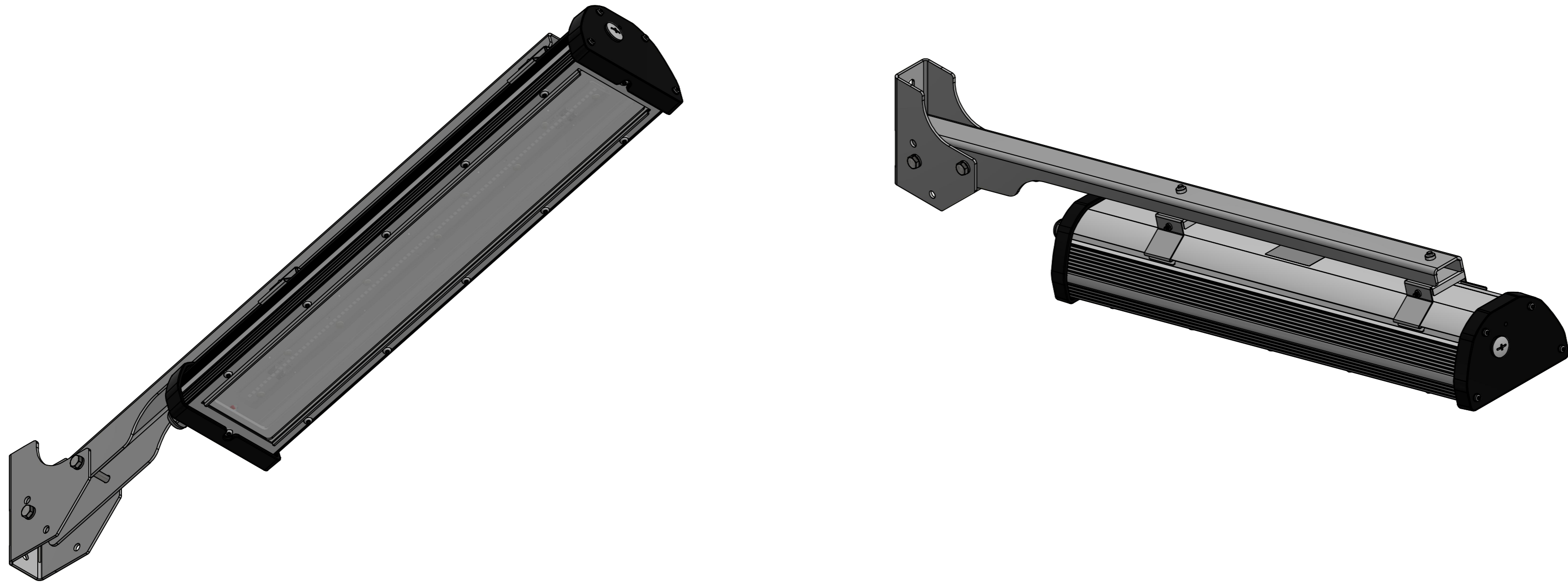
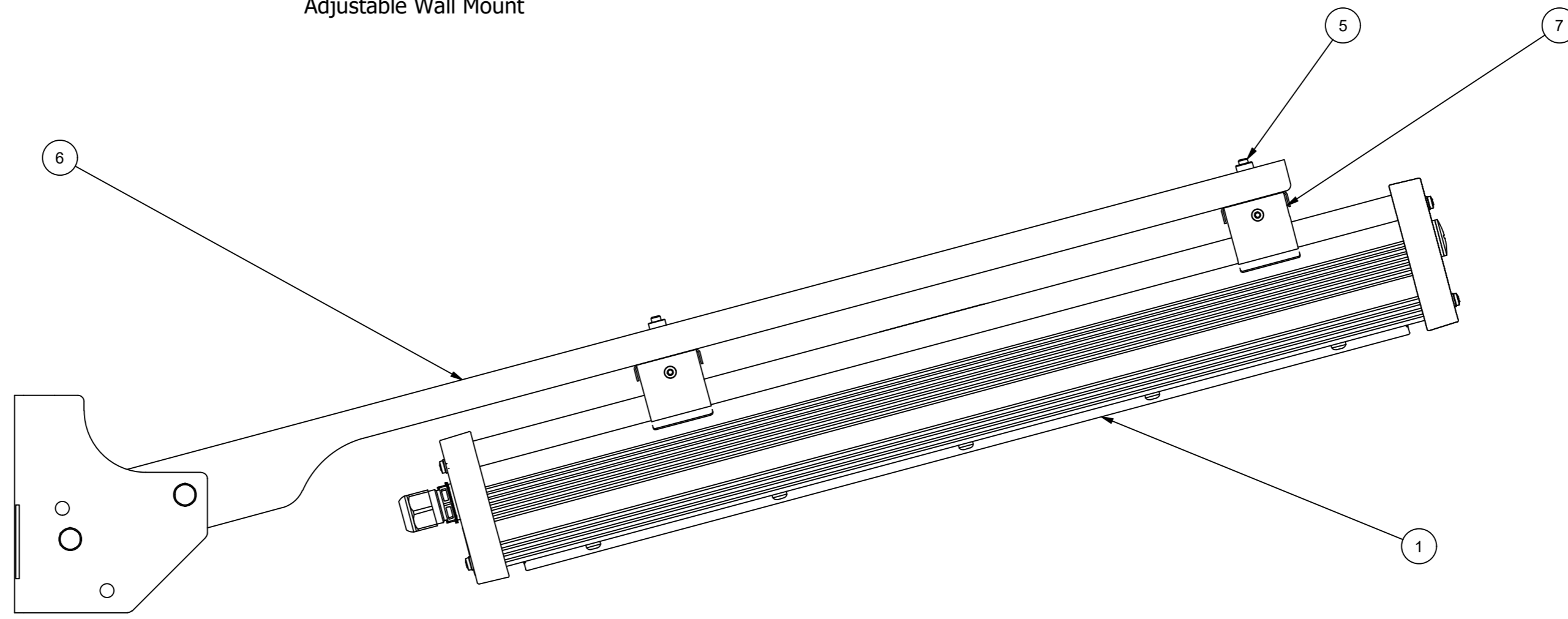


7	2	VP0080165	Bracket HST
5	2	VP0080160	Bracket 22.5°
4	2	DIN912-M6x12	Socket Head Cap Screw
3	2	DIN127-M6	Spring Washer
2	2	DIN127-M4	Spring Washer
1	1	ALT-06 / ALH-06	ALT-06 / ALH-06
Item	Qty	PART NUMBER	Description

Parts List

Material		Lifecycle state		Mass
				N/A
Scale 1:2		Description		Drawing No.
Gen Tolerance		INSTALLATION		ALT_ALH-06 INSTALLATION
Drawn Mikko Hentinen		Installation Options		Project
Date 9.2.2023				
Checked MH		Approved IA		Sheet 3 / 5
				Rev. A

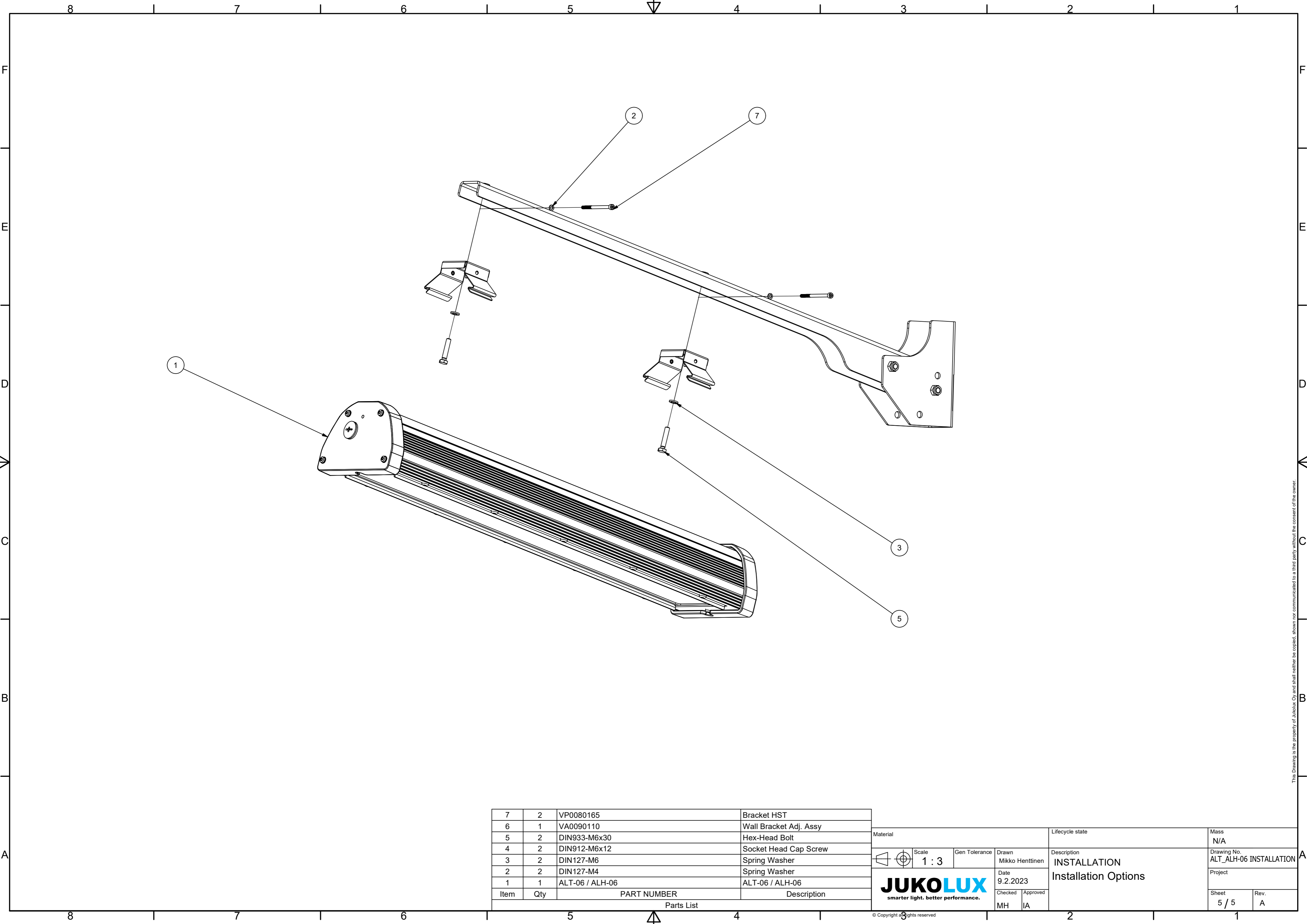
Adjustable Wall Mount



Item	Qty	PART NUMBER	Description
6	1	VA0090110	Wall Bracket Adj. Assy
5	2	DIN933-M6x30	Hex-Head Bolt
1	1	ALT-06 / ALH-06	ALT-06 / ALH-06
7	2	VP0080165	Bracket HST

Parts List

Material		Scale		Gen Tolerance		Lifecycle state		Mass	
1:3		1:3		Mikko Hentinen		N/A		N/A	
Date		Description		Drawn		INSTALLATION		Drawing No.	
9.2.2023		Installation options		Date		Installation options		ALT_ALH-06 INSTALLATION	
Checked		Approved		Project					
MH		IA		Sheet		4 / 5		Rev.	
								A	



Item	Qty	PART NUMBER	Description
7	2	VP0080165	Bracket HST
6	1	VA0090110	Wall Bracket Adj. Assy
5	2	DIN933-M6x30	Hex-Head Bolt
4	2	DIN912-M6x12	Socket Head Cap Screw
3	2	DIN127-M6	Spring Washer
2	2	DIN127-M4	Spring Washer
1	1	ALT-06 / ALH-06	ALT-06 / ALH-06

Material		Scale 1:3		Gen Tolerance		Lifecycle state		Mass N/A	
		Date 9.2.2023		Drawn Mikko Hentinen		Description INSTALLATION Installation Options		Drawing No. ALT_ALH-06 INSTALLATION	
Checked MH		Approved IA		Date 9.2.2023		Project		Sheet 5 / 5	
								Rev. A	

This Drawing is the property of Jukolux Oy and shall neither be copied, shown nor communicated to a third party without the consent of the owner.